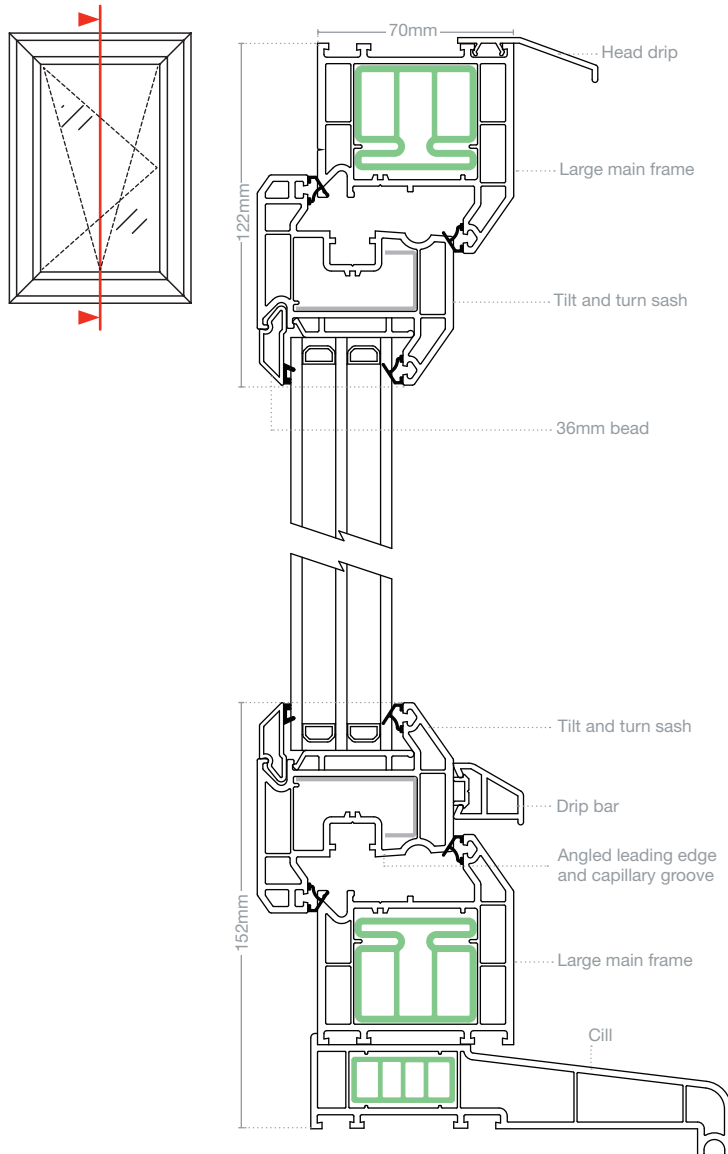


# Product specification Logik tilt and turn windows



All together better



## LOGIK TILT & TURN TRIPLE GLAZED INWARD OPENING, INTERNALLY GLAZED

### Profiles

- Eurocell **logik** 70mm system
- Large outer frame

### Reinforcements

- PVC-U Thermal Inserts and steel

### Cill options

**Standard:** 85mm (130mm\*), 150mm (195mm\*) and 180mm (225mm\*)

\* When used with cill extender

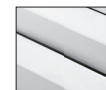
### Accreditations

- Eurocell **logik** profile system is BBA certified
- BS EN 12608, BS 7412, BS 6375, BS 7950

### Style



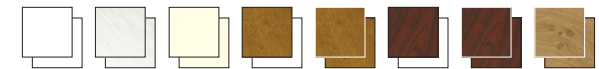
Ovolo



Chamfered

### Colour options

#### Standard colours



#### Non-standard options

Eurocell profiles are available in any colour from our made-to-order range. These are available on a three-week lead-time.

\* White Ash and Irish Oak available in Ovolo styles only. Anthracite Grey and Slate Grey available in Chamfered only

### Min / max sizes

If the windows are to be manufactured are outside these sizes, please consult Eurocell's technical department.

System	Width (mm)	Height (mm)
Logik tilt and turn windows	Max: 1500 Min: 550	Max: 1500 Min: 550

### Thermal performance

System	Config	Glass 1 (external)	Glass 2 (triple)	Glass 3 (internal)	Gas fill	Spacer bar	Reinforcing	U Value
tilt & turn	4/12/4/12/4	Float	SG Planitherm Plus	SG Planitherm Plus	Argon	Swisspacer V	Standard steel	1.1
tilt & turn	4/12/4/12/4	Float	SG Planitherm One	SG Planitherm One	Krypton	Swisspacer V	Steel with PVC-U Thermal Inserts	0.9
tilt & turn	4/12/4/12/4	Float	SG Planitherm One	SG Planitherm One	Argon	Swisspacer V	Steel with PVC-U Thermal Inserts	1
tilt & turn	4/12/4/12/4	Float	SG Planitherm Plus	SG Planitherm Plus	Argon	Swisspacer V	Steel with PVC-U Thermal Inserts	1.2

**Note:** The above calculations should be used for guideline purposes only. Other options also available. To have **logik tilt and turn** performance simulated, please contact Eurocell's technical department.